

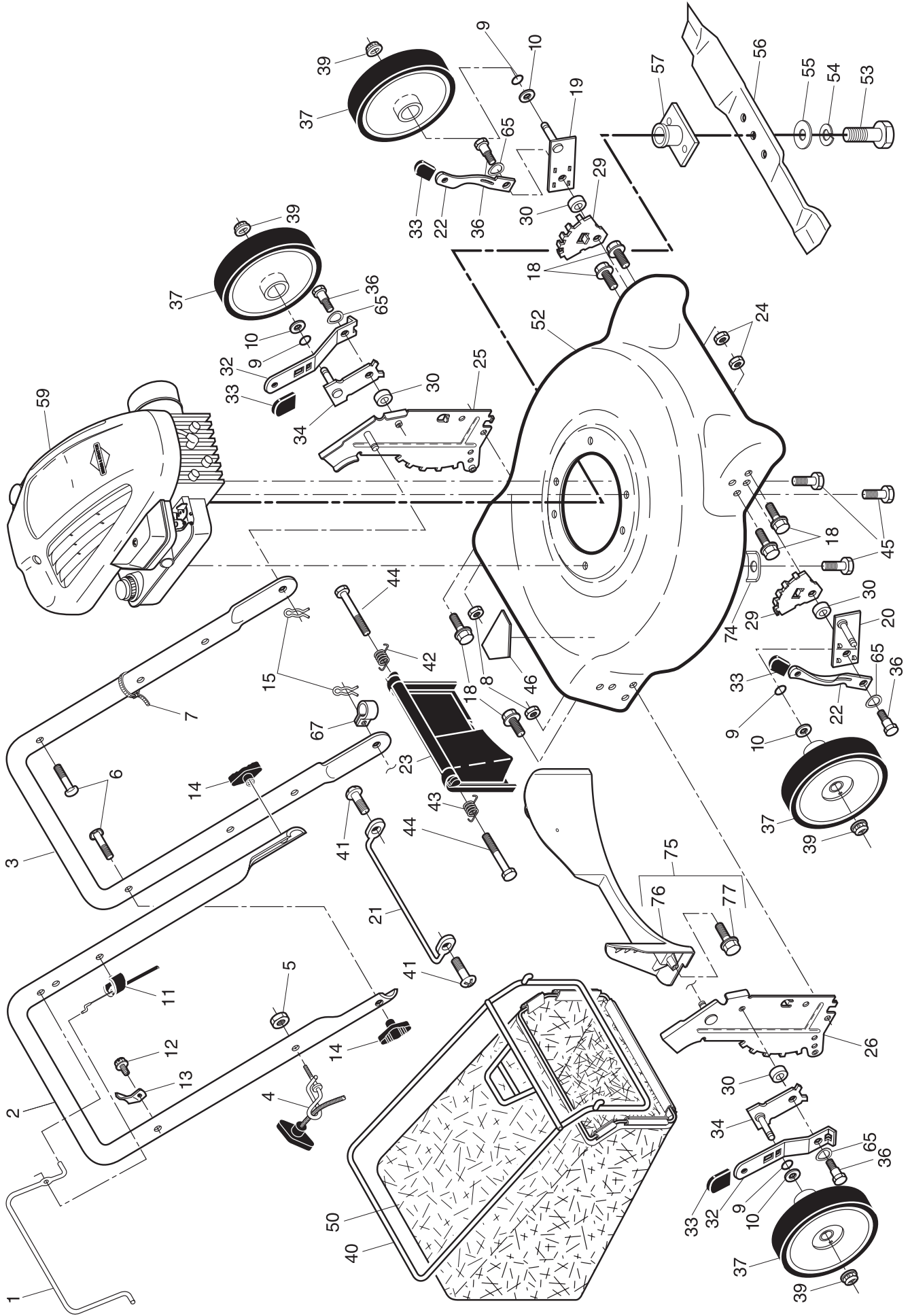
**ILLUSTRATED PARTS LIST**

**CUSTOMER MODEL NUMBER P4553CM**

**PRODUCT NUMBER 961 31 00-16**

**MFG. ID. NUMBER 96131001602**

ROTARY LAWN MOWER - MODEL NUMBER P4553CM (96131001602) PRODUCT NUMBER 961 31 00-16



# ROTARY LAWN MOWER - MODEL NUMBER P4553CM (96131001602) PRODUCT NUMBER 961 31 00-16

KEY NO.	PART NO.	DESCRIPTION	KEY NO.	PART NO.	DESCRIPTION
1	532 19 55-74	Control Bar	37	532 40 34-95	Wheel & Tire Assembly
2	532 19 55-47	Upper Handle	39	<b>532 40 91-48</b>	Flanged Locknut, Hex
3	532 17 42-91	Lower Handle	40	532 40 18-08	Frame, Grassbag
4	532 19 47-88	Rope Guide	41	532 05 45-83	Screw
5	532 13 20-04	Locknut, Hex 1/4-20	42	532 40 54-21	Spring, Rear Door, LH
6	532 19 15-74	Handle Bolt	43	532 40 54-23	Spring, Rear Door, RH
7	532 06 64-26	Wire Tie	44	532 18 41-93	Bolt, Rear Door
8	<b>873 93 05-00</b>	Nut	45	532 15 04-06	Hex Head Thread Rolling Screw 3/8-16 x 1
9	<b>532 19 74-80</b>	O-Ring	46	532 18 21-66	Danger Decal
10	<b>532 08 83-48</b>	Washer	50	532 40 20-24	Grassbag
11	532 17 65-56	Engine Zone Control Cable	52	<b>532 41 39-00</b>	Kit, Lawn Housing Assembly (Includes Key Number 46)
12	532 75 06-34	Hex Washer Head Screw #10-24 x 1/2	53	532 85 10-84	Hex Head Screw 3/8-24 x 1-3/8 Grade 8
13	532 12 52-03	Up-Stop Bracket	54	532 85 02-63	Helical Lockwasher
14	532 19 19-38	Handle Knob	55	532 85 10-74	Hardened Washer
15	532 05 17-93	Hairpin Cotter	56	532 19 93-77	21" Blade
18	817 60 04-06	Screw	57	532 19 38-25	Blade Adapter
19	532 40 66-89	Axle Arm Assembly, Front, LH	59	- - -	Engine, Briggs & Stratton, Model Number 10G902 (Order parts from engine manufacturer)
20	532 40 66-90	Axle Arm Assembly, Front, RH	65	532 40 16-30	Washer, Flat
21	<b>532 41 35-43</b>	Footguard	67	532 19 79-91	Clip, Cable
22	532 40 64-28	Selector Spring, Front	74	532 12 50-78	Washer, Engine
23	532 41 06-03	Rear Door	75	<b>532 41 36-93</b>	Kit, Rear Baffle, Plastic (Includes 3 Screws)
24	532 16 67-85	Locknut, Hex 5/16-18	76	<b>532 41 05-89</b>	Rear Baffle, Plastic
25	<b>532 41 35-64</b>	Handle Bracket Assembly, LH	77	<b>817 41 13-12</b>	Screw
26	<b>532 41 35-65</b>	Handle Bracket Assembly, RH	- -	532 40 25-03	Operator's Manual, European
29	532 41 05-94	Wheel Adjusting Bracket, Front	- -	532 40 25-05	Operator's Manual, Scandinavian
30	532 40 16-29	Spacer	- -	532 40 25-08	Operator's Manual, East Bloc
32	532 41 08-88	Selector Spring, Rear	- -	532 40 25-07	Operator's Manual, Baltic
33	532 08 78-77	Selector Knob			
34	532 41 08-90	Axle Arm Assembly, Rear, LH			
36	532 40 16-38	Shoulder Bolt 5/16-18			

**NOTE:** All component dimensions given in U.S. inches. 1 inch = 25.4 mm. **IMPORTANT:** Use only Original Equipment Manufacturer (O.E.M.) replacement parts. Failure to do so could be hazardous, damage your lawn mower and void your warranty.